

The background features a dark blue gradient with a subtle pattern of white dots. On the left side, there are several overlapping circular elements. A prominent one is a large scale with tick marks and numbers ranging from 140 to 260. Other circles contain curved lines and arrows, suggesting motion or data flow.

FINDY SSI AGENCY

HIGHWAY TO VERIFIED DATA NETWORKS



@vuorenoja @harrilainio

AGENDA



THE TEAM, PROJECT
HISTORY, AND TARGETS



FINDY AGENCY IN
ACTION (DEMO)



DESIGN DECISIONS
AND TECHNICAL
ARCHITECTURE



WHAT NEXT?

WHO ARE WE?



Bank's research department,
emerging technologies lab



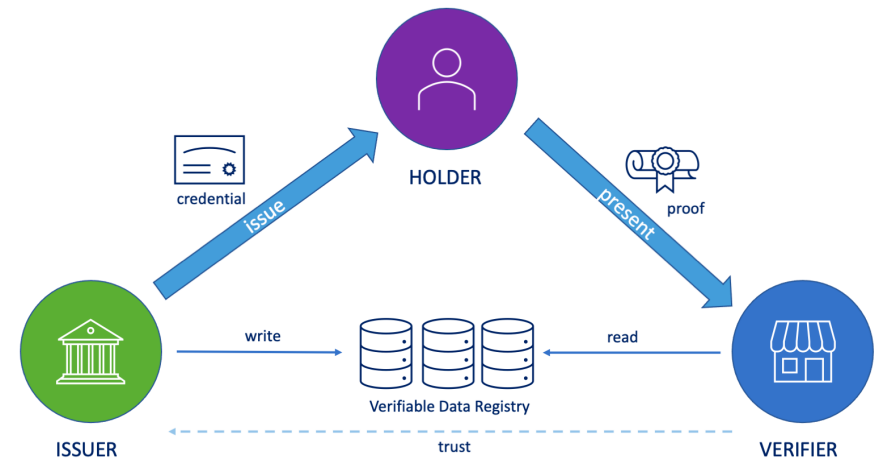
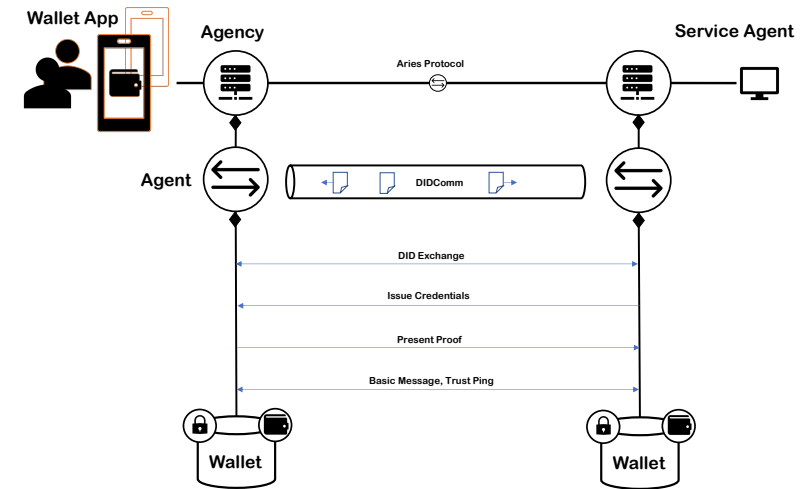
DLT project history



Theoretical computer
science

THE PROJECT

- Multi-tenancy model, i.e. symmetric agent model
- system software, “Batteries Included”
- gRPC API
- React-based Web Wallet (FIDO2)
- Interoperability (AIP 1.0)
- Ledger-less run modes
- Cloud-centric design with Sovereign Computing twist

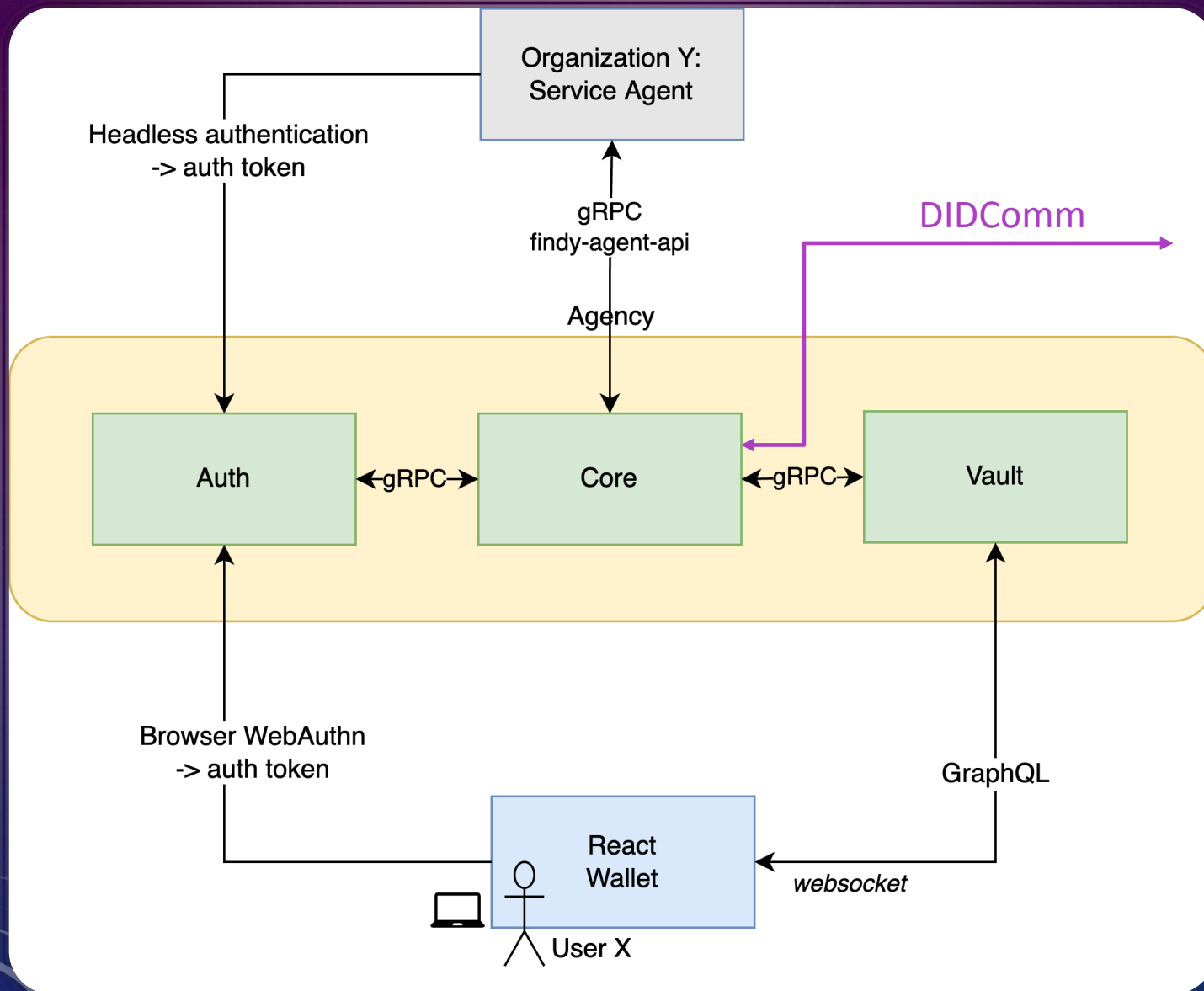


[HTTPS://GITHUB.COM/FINDY-NETWORK/FINDY-AGENCY-DEMO](https://github.com/findy-network/findy-agency-demo)

DEMO

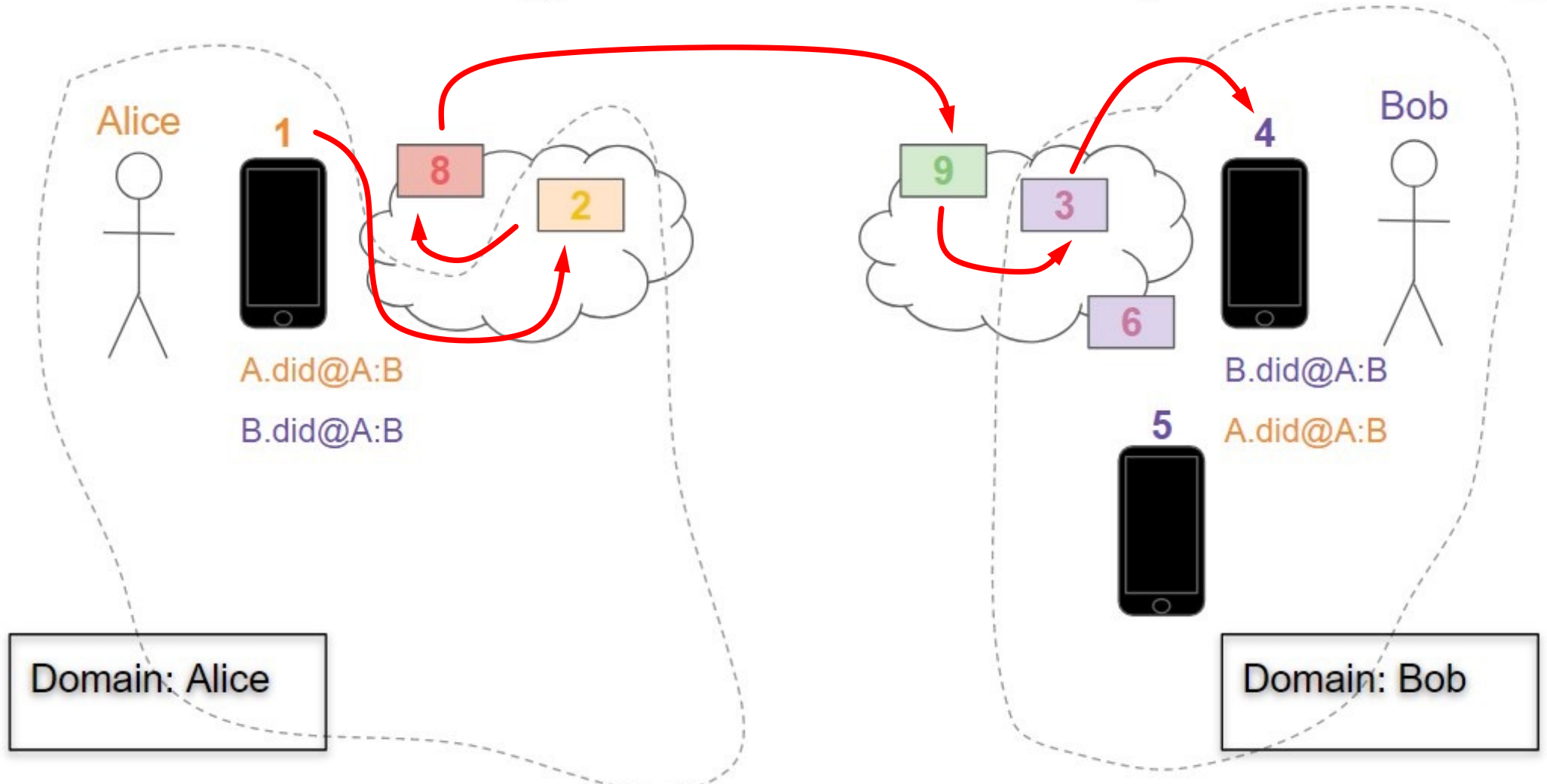
<https://findy-network.github.io>

MICRO-SERVICES



- JWT Authorization
- gRPC
- GraphQL
- Mutual TLS
- Containerized
- Go
- Outstanding Performance
- Standalone Dev Model

Domain - a set of Agents controlled by an Identity



IDENTITY DOMAIN

1



OPEN SOURCE SOFTWARE

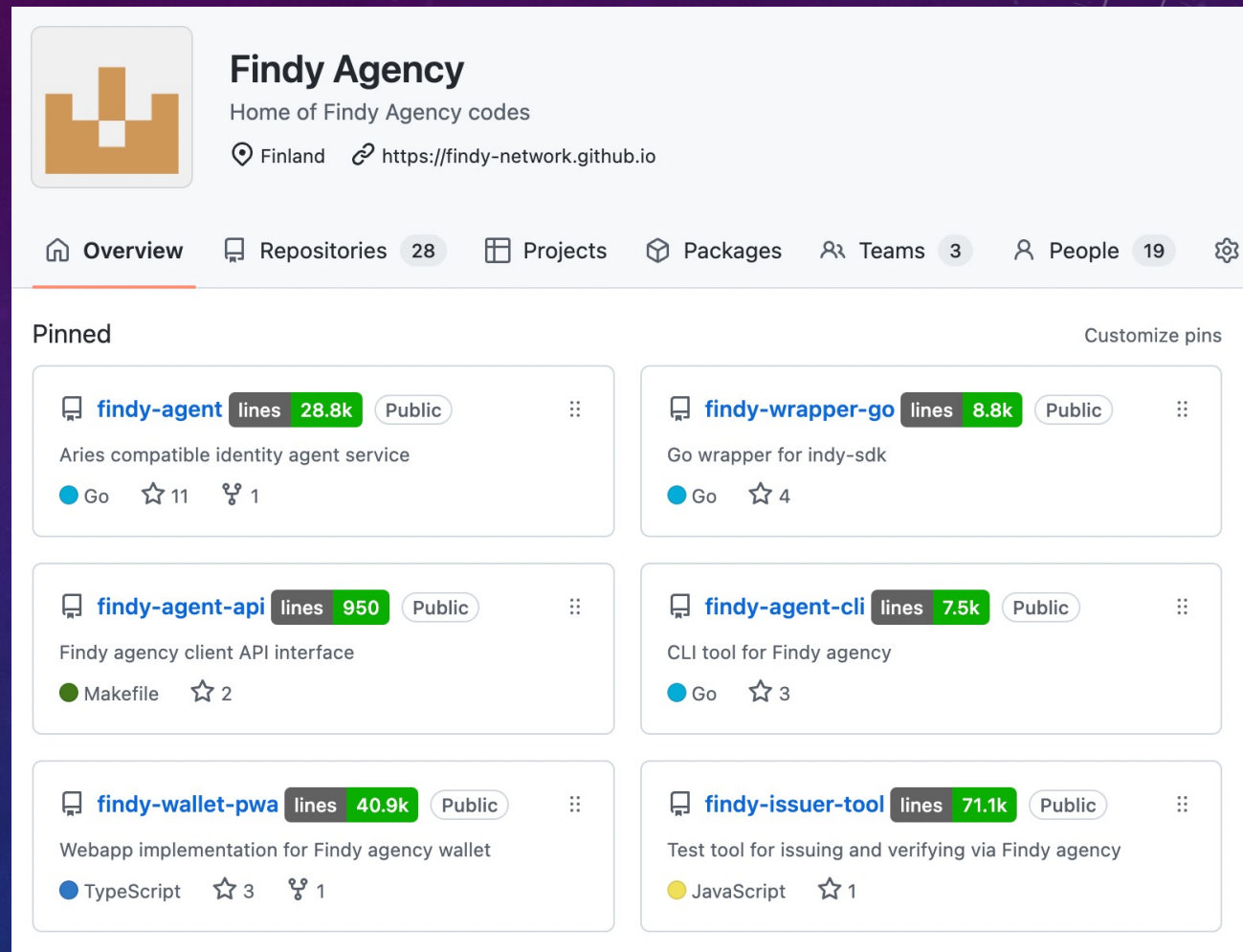
Multi-repos

Well documented

Lots of examples

Docker images are public and available

Batteries included



The screenshot displays the GitHub profile for Findy Agency. The profile header includes the organization's logo, name, and location (Finland). Below the header is a navigation bar with tabs for Overview, Repositories (28), Projects, Packages, Teams (3), and People (19). The main content area is titled 'Pinned' and features six repository cards arranged in a 3x2 grid. Each card shows the repository name, line count, public status, description, and supported languages.

Repository Name	Lines	Public	Description	Languages
findy-agent	28.8k	Public	Aries compatible identity agent service	Go
findy-wrapper-go	8.8k	Public	Go wrapper for indy-sdk	Go
findy-agent-api	950	Public	Findy agency client API interface	Makefile
findy-agent-cli	7.5k	Public	CLI tool for Findy agency	Go
findy-wallet-pwa	40.9k	Public	Webapp implementation for Findy agency wallet	TypeScript
findy-issuer-tool	71.1k	Public	Test tool for issuing and verifying via Findy agency	JavaScript

ROADMAP

Extend support

- AIP 2.0
- W3C, BBS+
- DID:WEB

Research

- OIDC-SIOP
- DID:ONION
- Web of Trust

Pilot cases

- Business case needs
- Performance and scalability

JOIN THE FUN

- Website: <https://findy-network.github.io>
 - Docs, blogs, videos
- Try it out:
<https://github.com/findy-network/findy-agency-demo>
- Feedback
 - harri.lainio@op.fi, @harrilainio, LinkedIn
 - laura.vuorenoja@op.fi, @vuorenoja, LinkedIn

